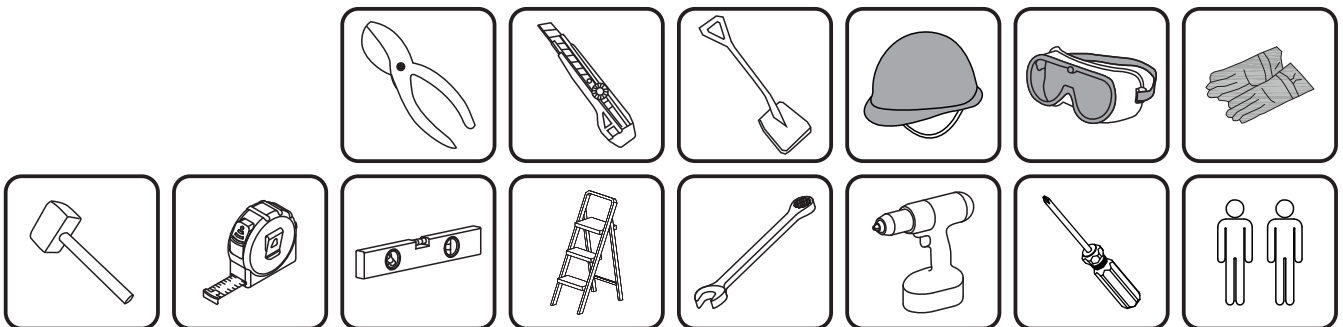
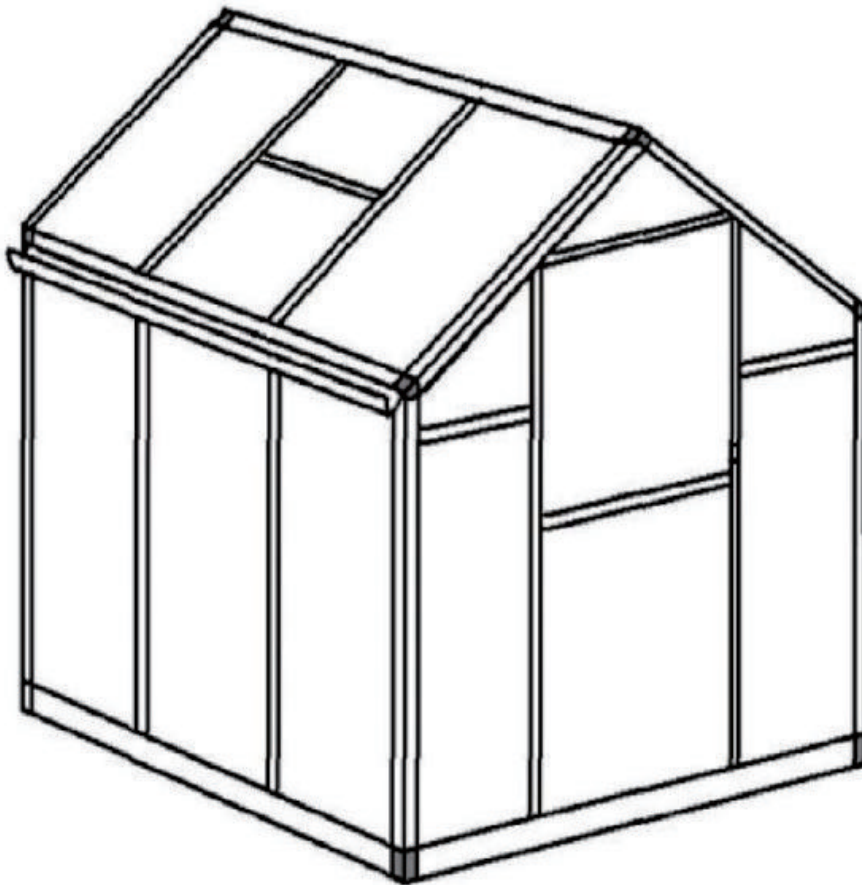




INbfc010V01\_US

845-243



READ AND SAVE THIS INSTRUCTIONS FOR FUTURE USE

Tools Recommended

# ASSEMBLY & INSTRUCTION MANUAL

## Manual del usuario

Please check local building codes regarding footings, location and other requirements before beginning construction. Study and understand this owner's manual of important information and helpful tips for easier and more enjoyable assembly.

## Assembly instructions:

Reviewing all instructions and the appropriate information before you begin, make sure following the step sequence carefully for successful results.

## Parts and Parts List:

Before you start, separate and identify all the parts and hardware to be sure that you have all the necessary parts for your building (refer to the Parts List Page).

If you find that a part is missing, please notify the seller within one week after receiving the product. Do not attempt to assemble the building if parts are missing because any building left partially assembled may be seriously damaged by light winds.

**( Please tear off the safety protection layer before the assembly, keep the part number label if needed )**




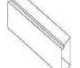

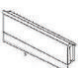










## Safety must be put in the No. 1 position:

- 1 Select a dry and calm day for your assembly. Team works ( Two or more people ) are required during the assembly;
- 2 Wearing safety gloves, eye protection and long sleeves during the assembly to prevent injury; Pay attention to the sharp edge of some parts;
- 3 Children and pets are not allowed entering into the construction site;
- 4 Never concentrate your total weight on the roof of the building. When using a step ladder make sure that it is safety;

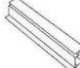


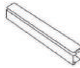












## Care & Maintenance:

- 1 Keep the shed clean with soft cloth, use water if necessary;
- 2 Keep the door tracks clear of dirt and other stuff that prevent them from sliding easily.
- 3 Clean the snow with necessary tools to make sure it is safe to enter into; Heavy snow may cause collapse, please make sure safety before entering into.
- 4 Please add some oil on the top and bottom door sliding channel to make door slides smoothly.


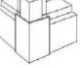












**BOX-1/2**

NO.	PARTS	QTY
1		1
2		1
3		1
4		1
5		4
6		1
7		1
8		1
9		1
10		1
11		1
12		1
13		1
14		1
15		1
16		4

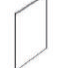
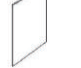
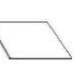
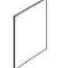


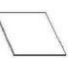
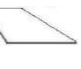
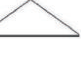


**BOX-1/2**

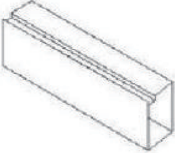
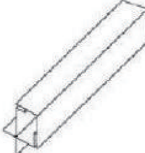
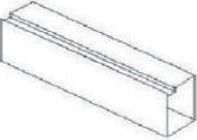

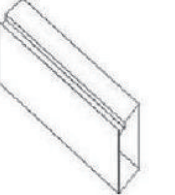
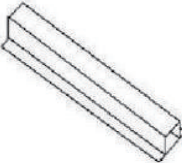
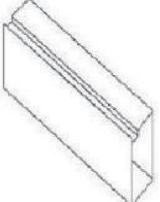
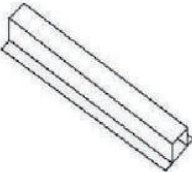
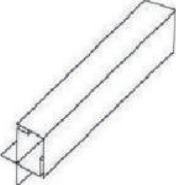
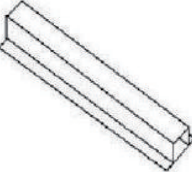
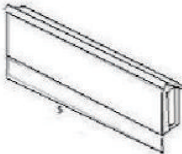
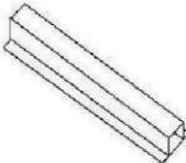
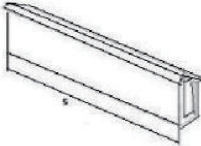
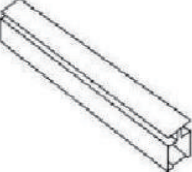
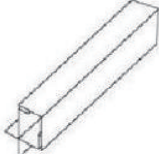
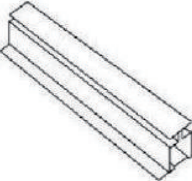
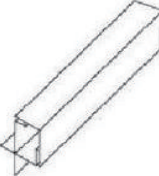
NO.	PARTS	QTY
17		2
18		2
19		2
20		2
21		1
22		1
23		1
24		1
25		1
26		1
27		1
28		1
29		1
30		1
31		2
32		4

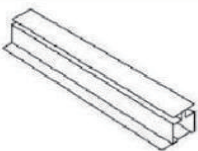

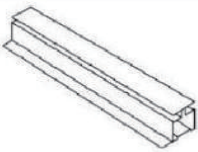

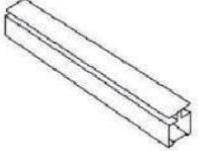

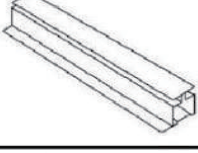
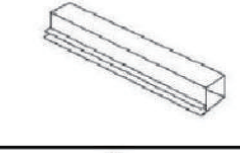
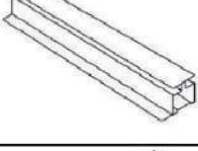
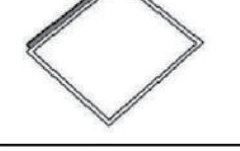


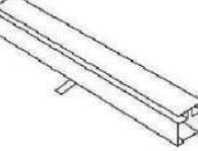
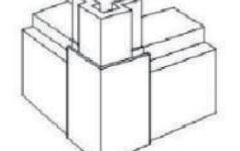
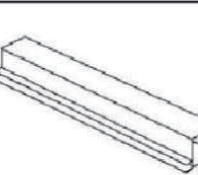
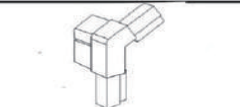
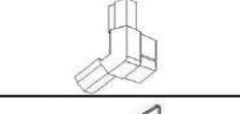
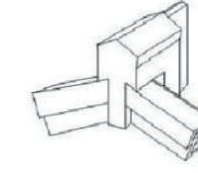
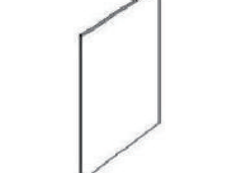
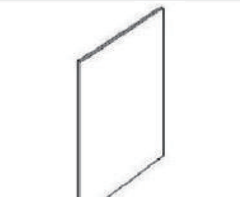
**BOX-1/2**





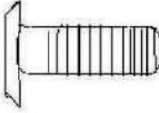
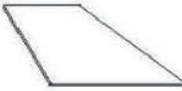




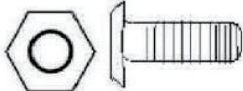







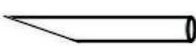

NO.	PARTS	QTY
33-1		2
33-2		2
34		2
36		4
37		2
38		55
39		1
40		8
41		16
42		2
43		1
44		4
45		4
46		4

**BOX-2/2**

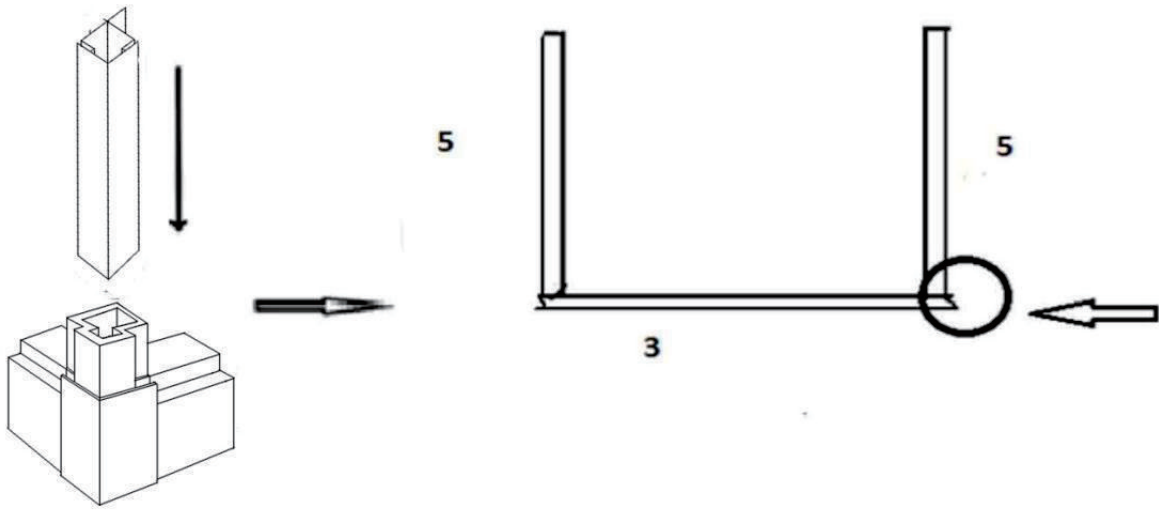
NO.	PARTS	QTY
A		6
B		5
C		2
D		1
E		2
F		1
G		2
H		2
I		1
J		1
K		2

No.	Picture	Qty.	Size	No.	Picture	Qty.	Size
1		1	176.2	10		1	98.2
2		1	176.2	11		1	98.2
3		1	172	12		1	164.3
4		1	172	13		1	164.3
5		4	130.3	14		1	165.8
6		1	176.2	15		1	165.8
7		1	176.2	16		4	130.3
8		1	98.2	17		2	96.9
9		1	98.2				

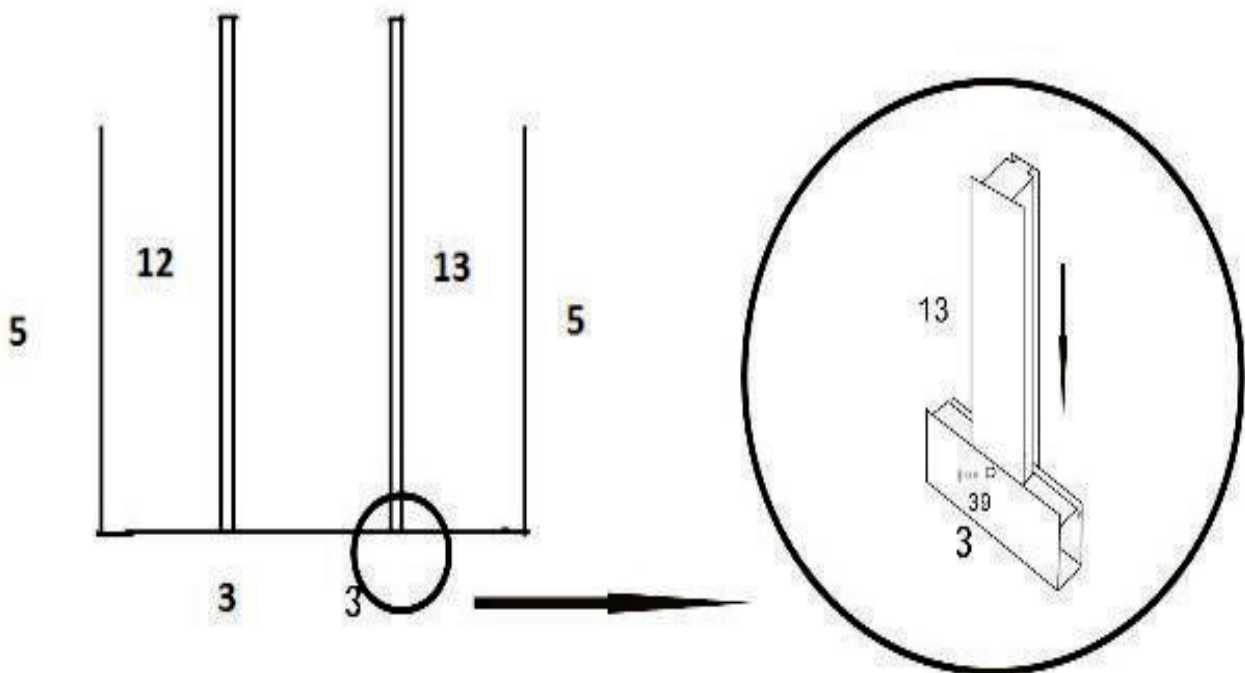
18		2	96.9	26		1	155
19		2	51.7	27		1	56.3
20		2	54.6	28		1	56.3
21		1	63	29		1	56.3
22		1	57	30		1	57*57
23		1	176.2	31		2	176.2
24		1	57	32		4	
25		1	155	33-1		2	
				33-2		2	
34		2		A		6	3.8*133.5*58.8
				B		5	3.8*99*58.8

36		4	C		2	3.8*129.6*56
37		2	D		1	3.8*129.6*58.3
38		55	E		2	3.8*36*56
39		1	F		1	3.8*53.5*58.3
40		8	G		2	3.8*129.1*53.1
41		16				
42		2				
H		2				3.8*34.5*53.3
I		1				3.8*19.7*63
J		1				3.8*37.5*58.3
K		2				3.8*77.6*57.6
		1	44		4	
45		4	46		4	

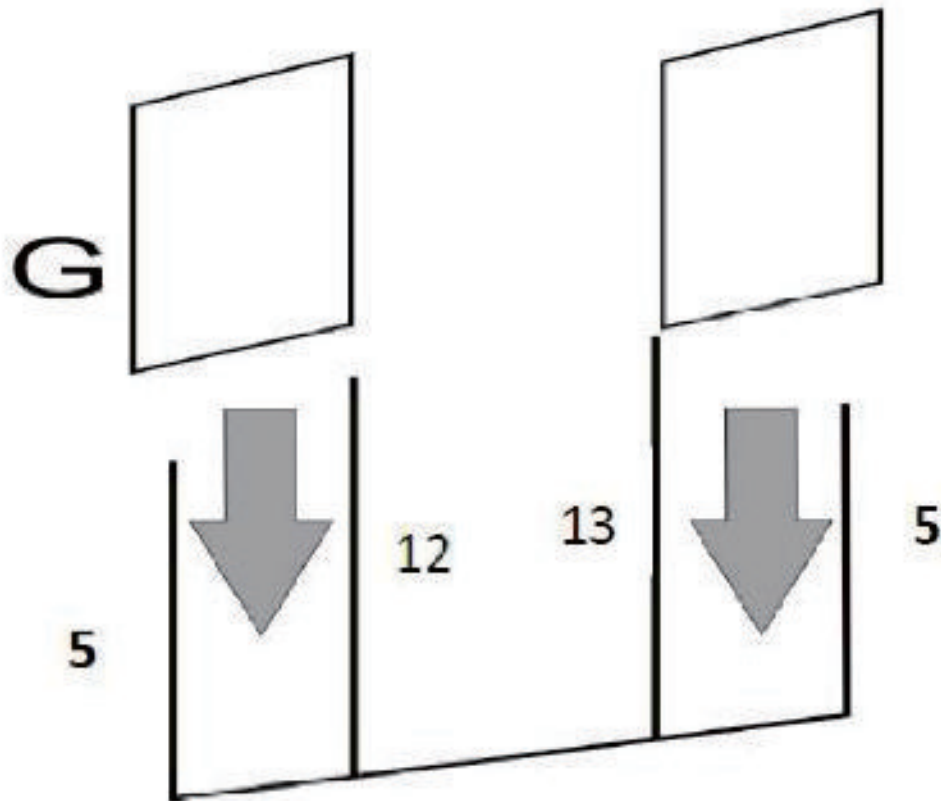
put 2 parts 5 connect with the base part 3 by plastic connector 32 , In order to enhance the fastness of greenhouse , adjust the screws.



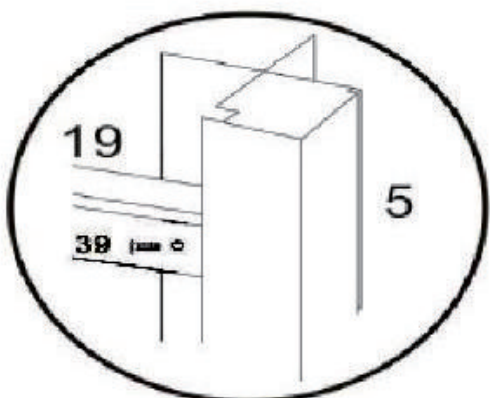
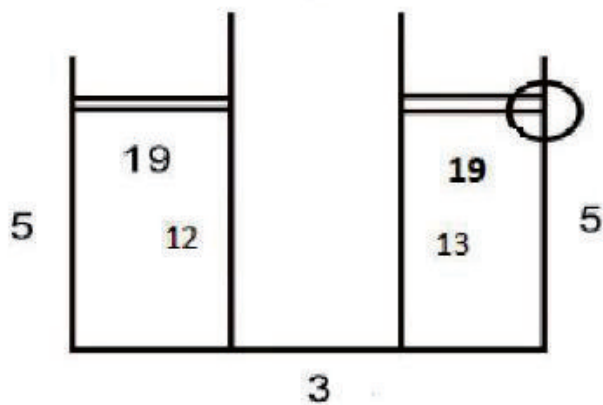
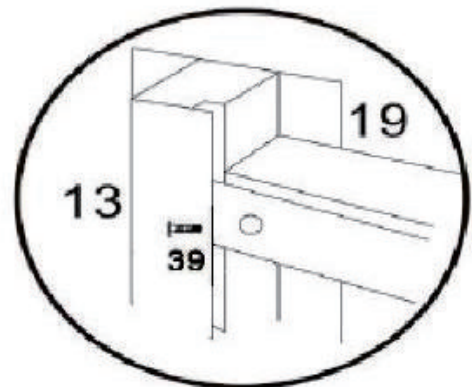
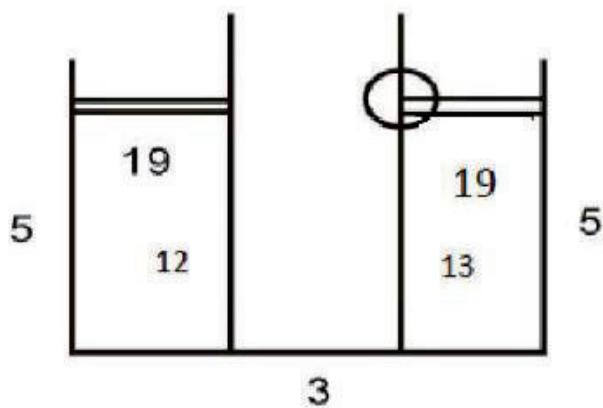
put 12 and 13 connect with 3 by screw



slide PC panel G into groove 5 and 12 13

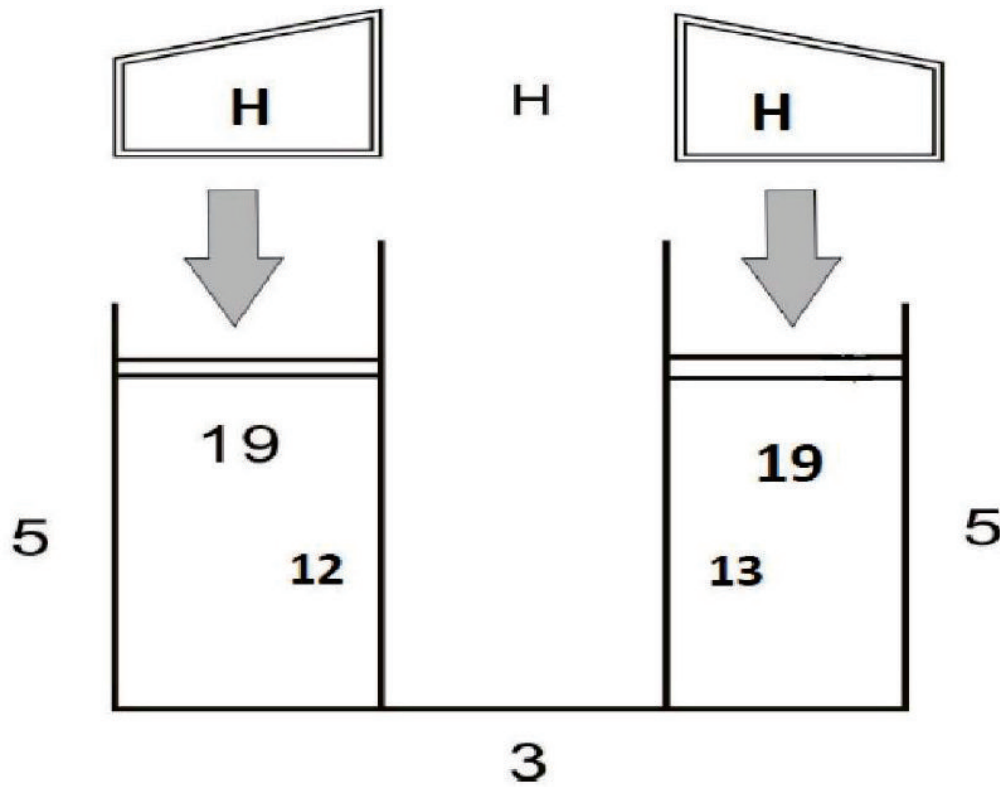


connect 19 with 5 by screw 39

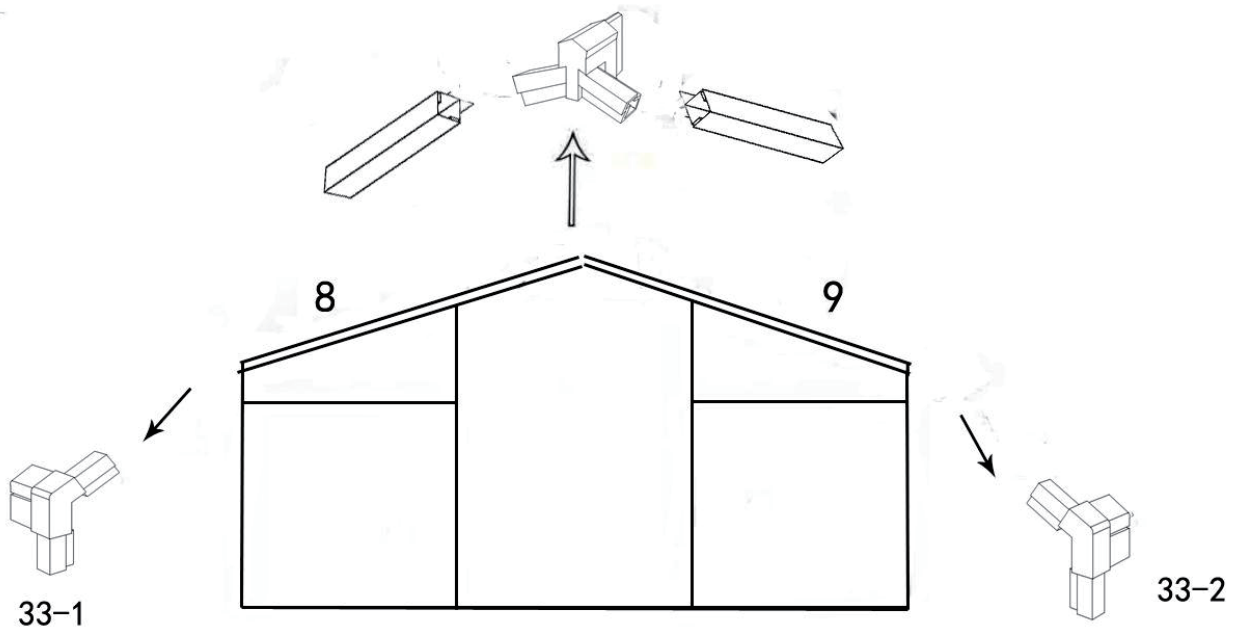




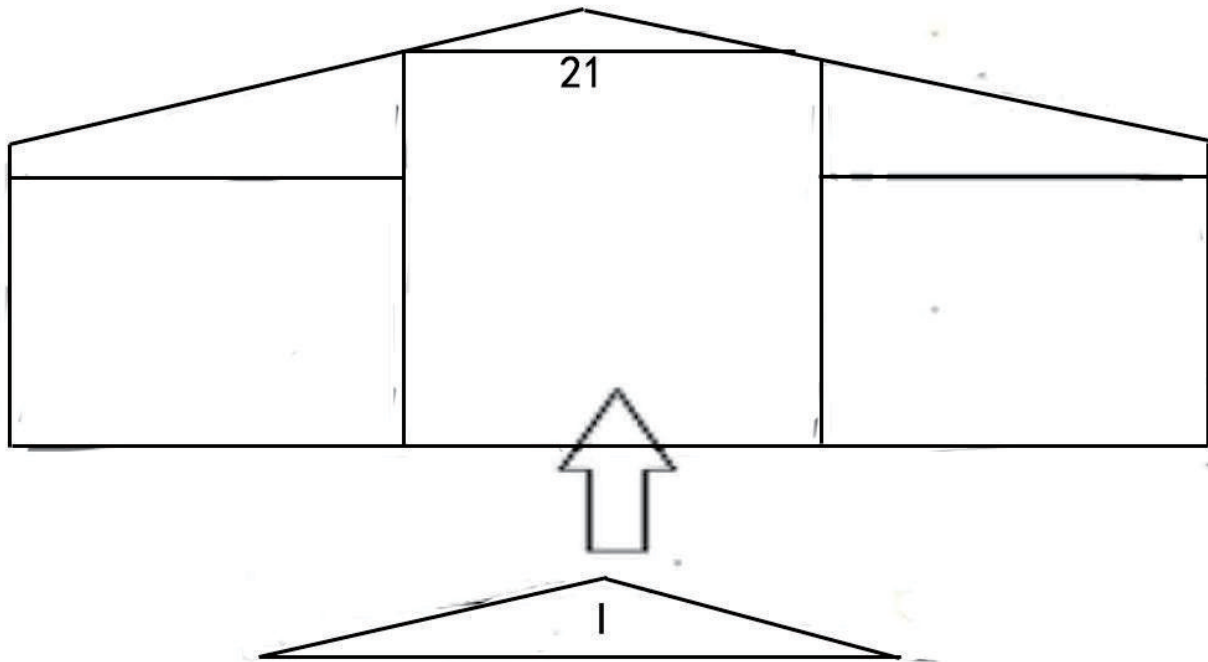
Slide sunlight panels H into the grooves of 5 and 12,13, then tighten the screws



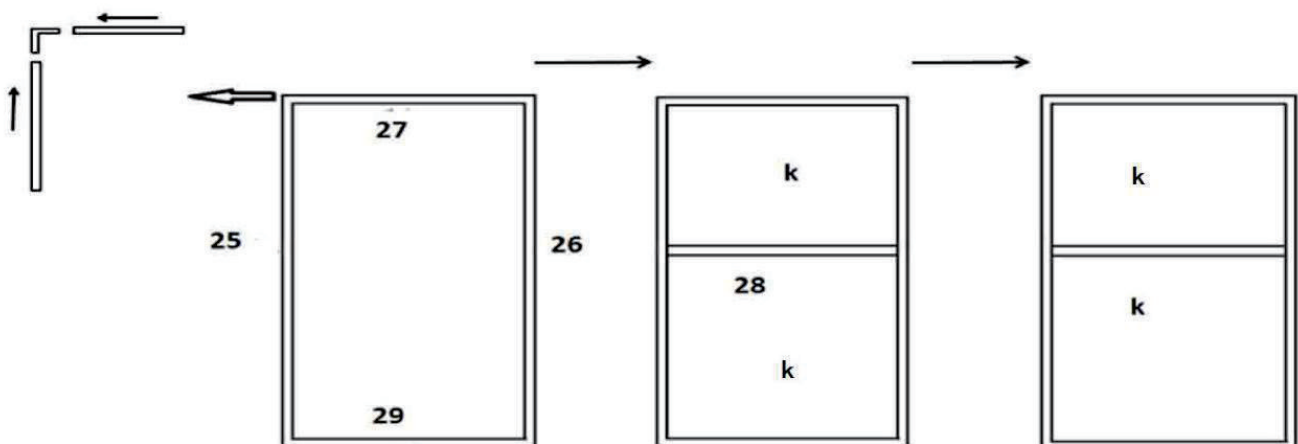
Connect 8 with 9 by plastic connector 34, then connect 8,9 with 5 by connector 33-1/33-2



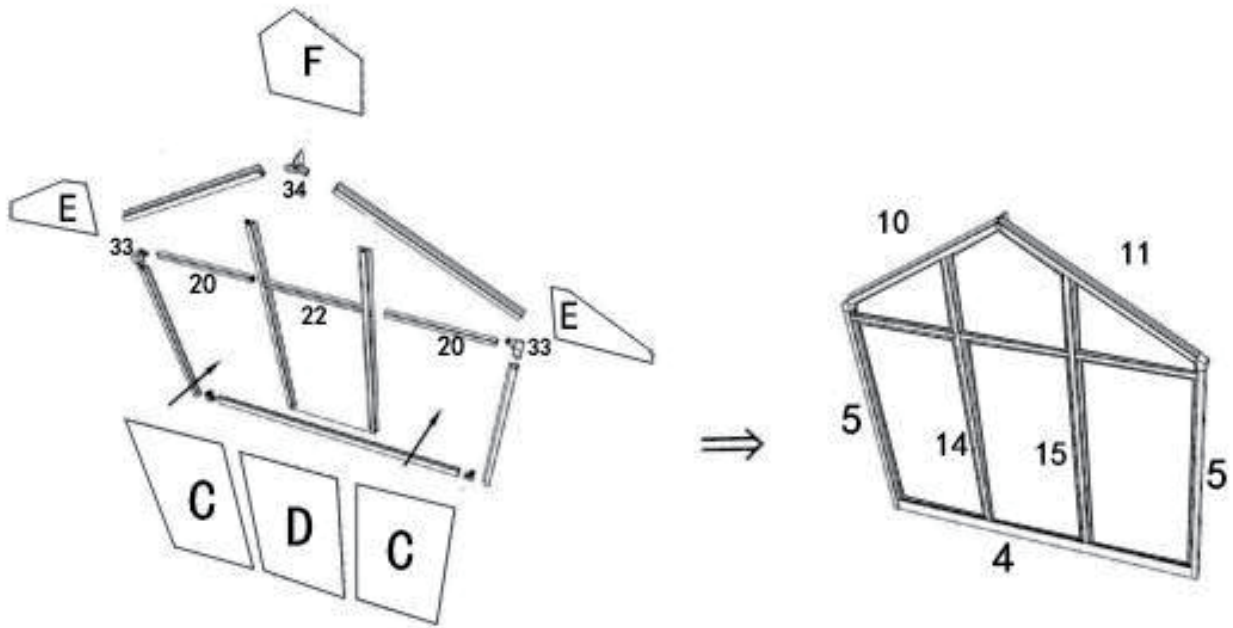
Slide PC panel I into grooves of 8,9 ,then connect 21 with 12 and 13,then tighten the screws



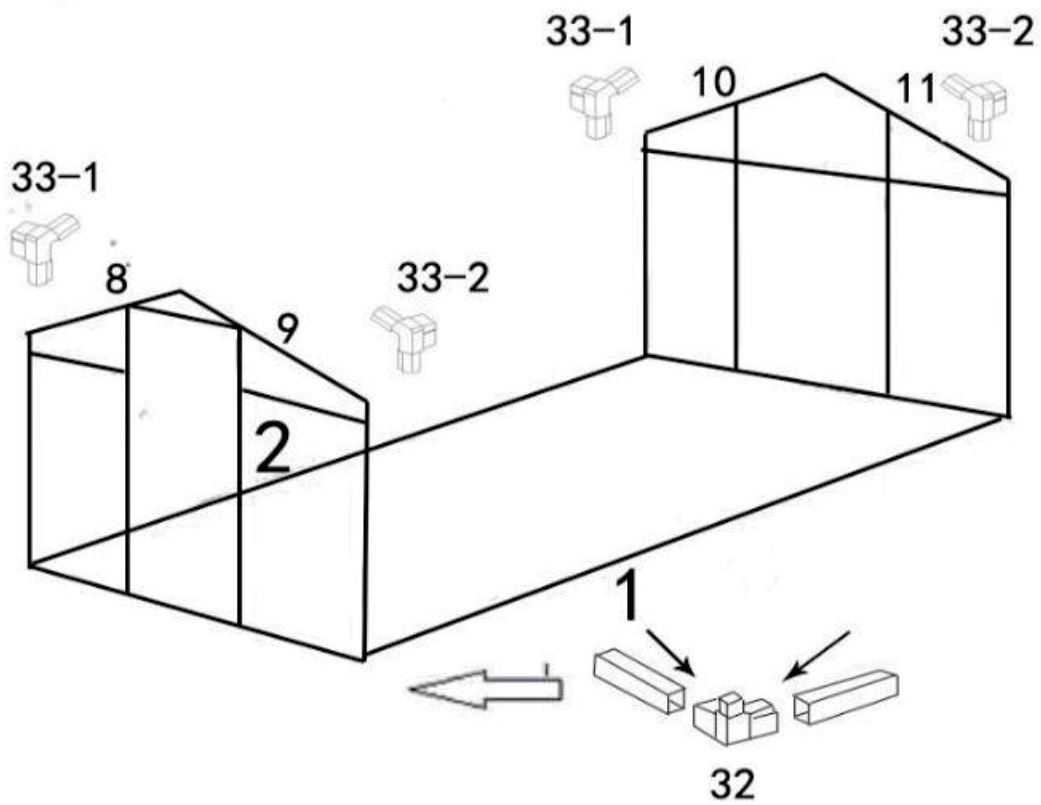
The door: Connect 25 and 27 by plastic connector ; slide one PC panel K into the groove of 27 and 28; slide 28 with its groove to connect with K; then slide the other K into the groove of 26, 28 and 29



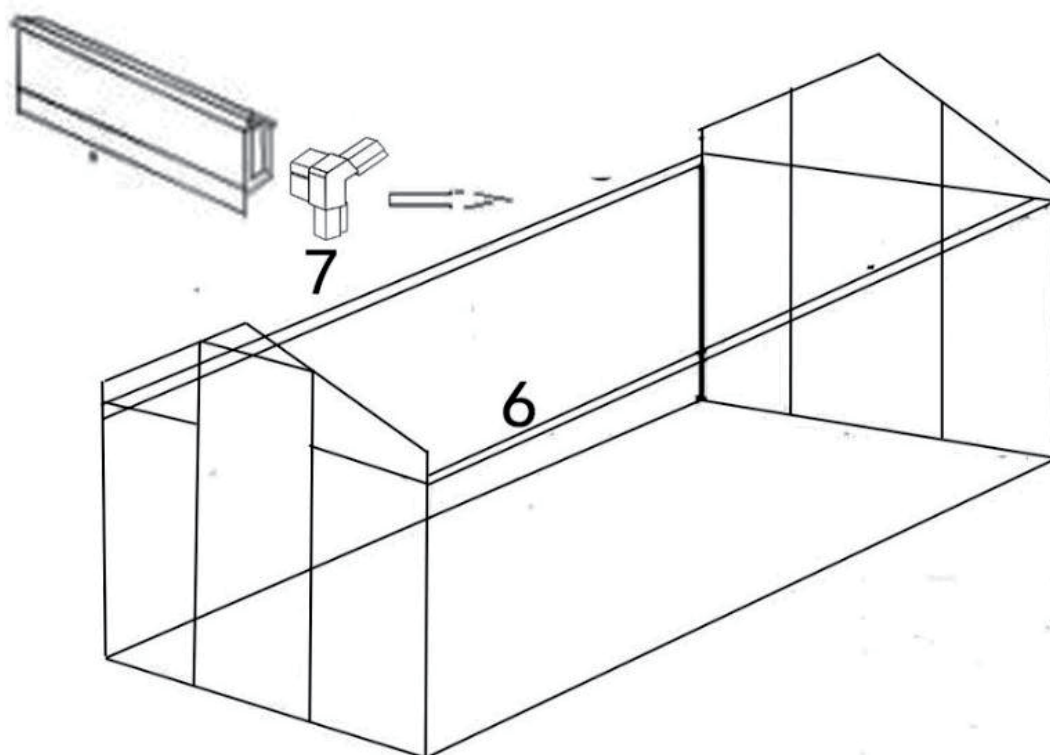
According to the above step, assemble other side of greenhouse



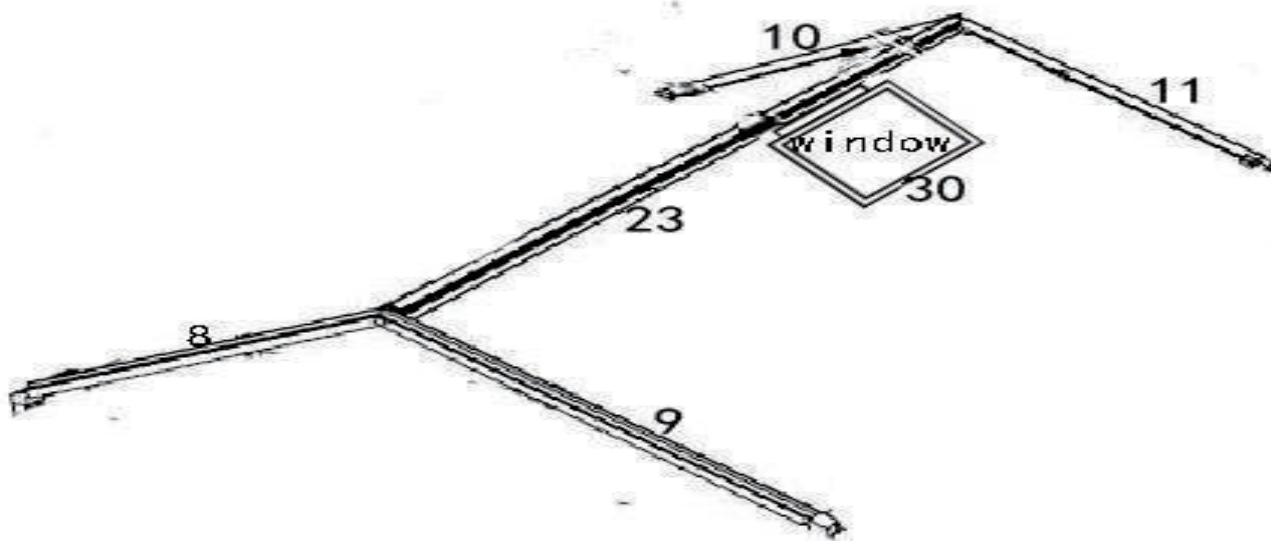
stand greenhouse, connect 1,2 with front and back by connector 32



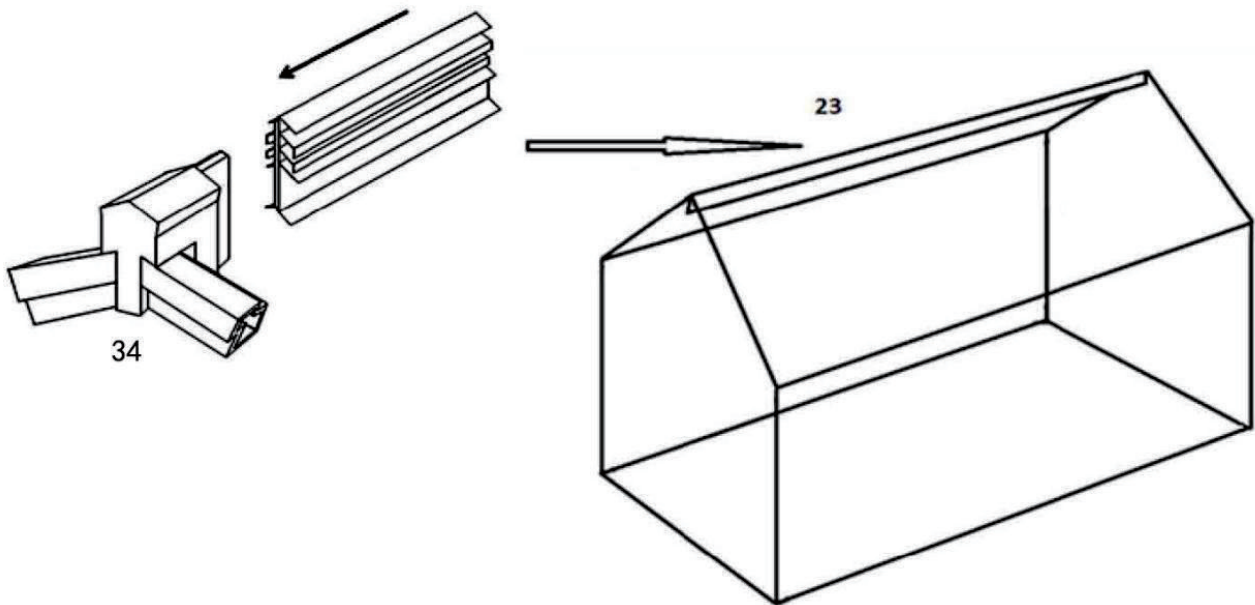
connect 6,7 with both ends of 5 by plastic connector 33-1/33-2



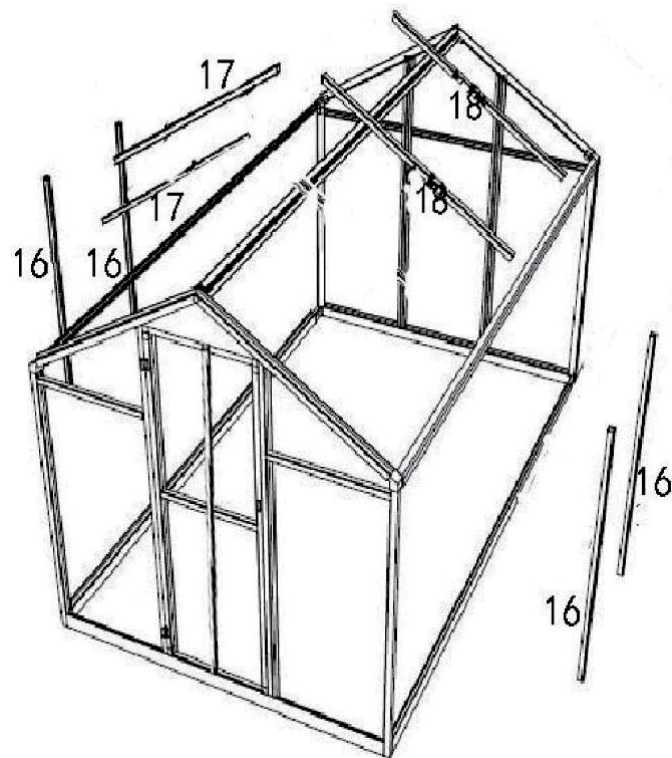
Connect both ends of 23 with 8,9/10,11 by plastic connector 34; slide the window into the groove of 23

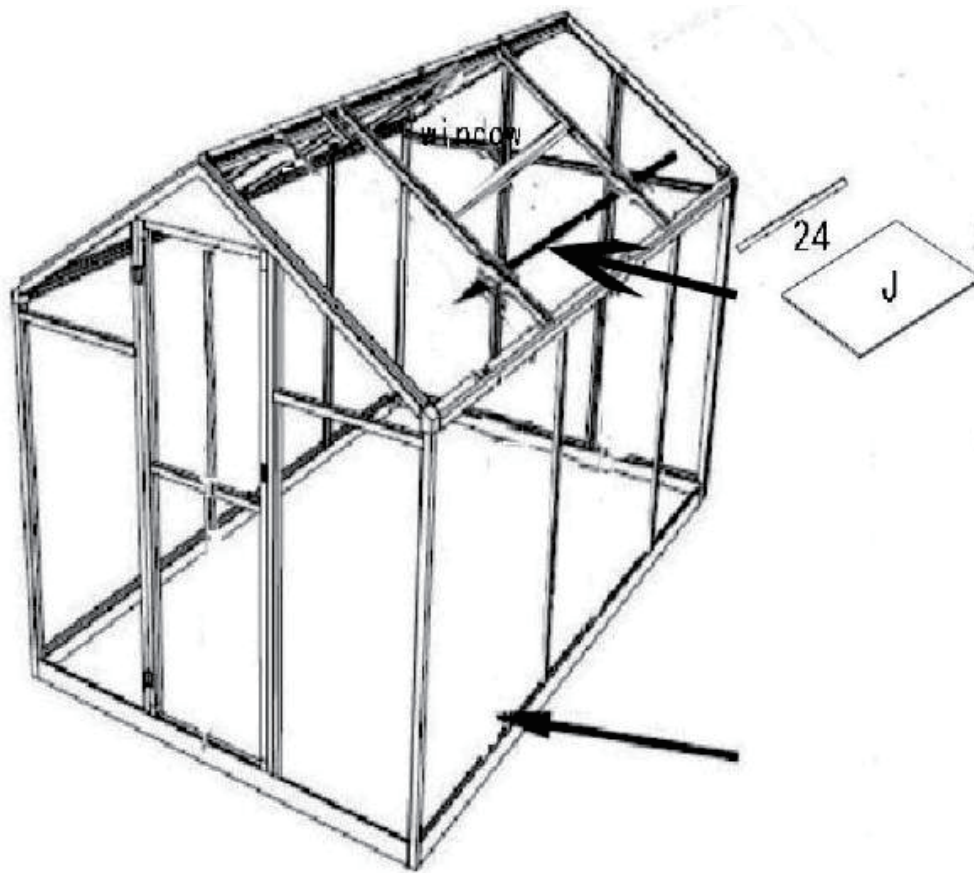


Connect 23 with plastic connector 34 by screw 42

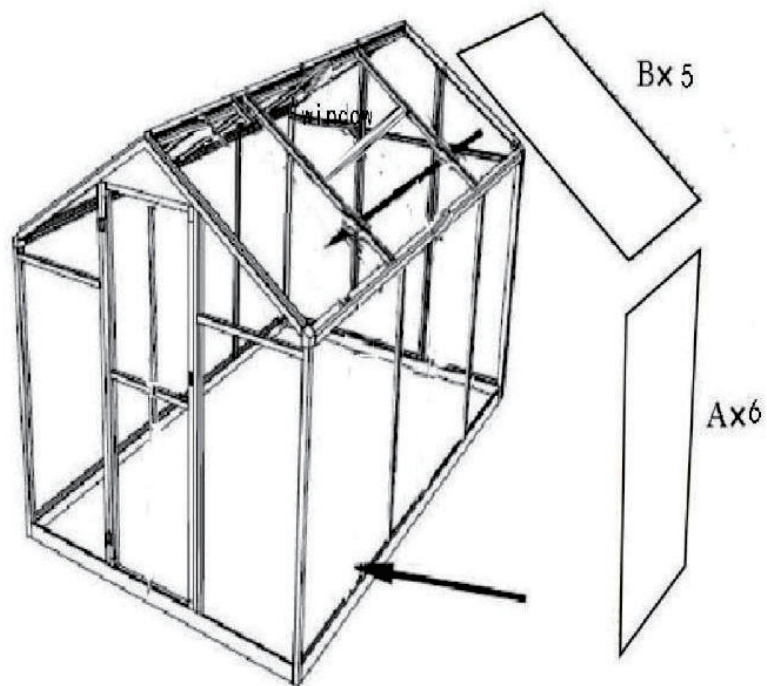


Connect 16,17,18 with 6,7, 23 by screws, but keep the screws loose for later PC panels assembly; then connect 18 with 24

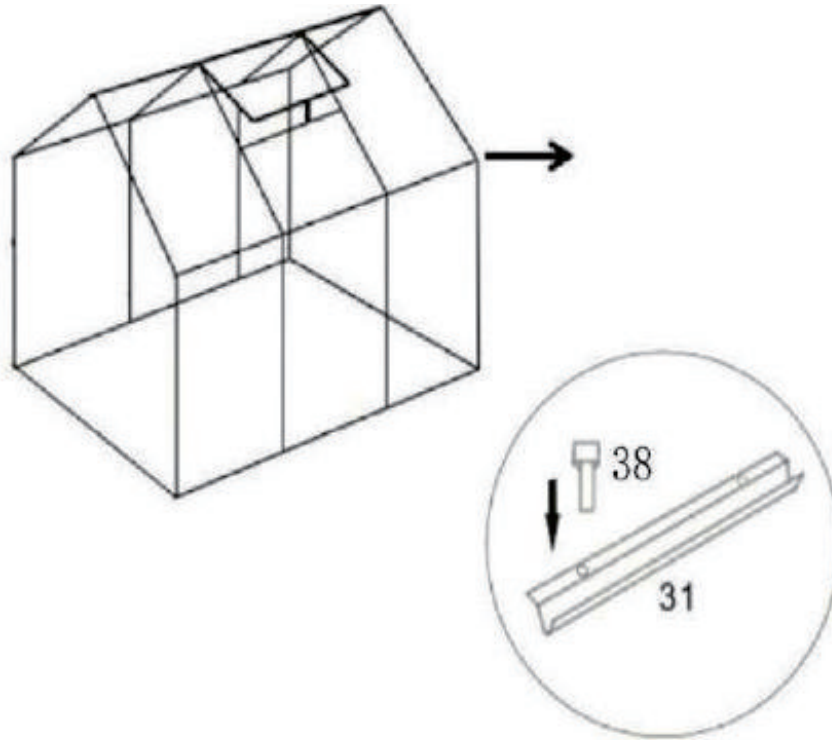




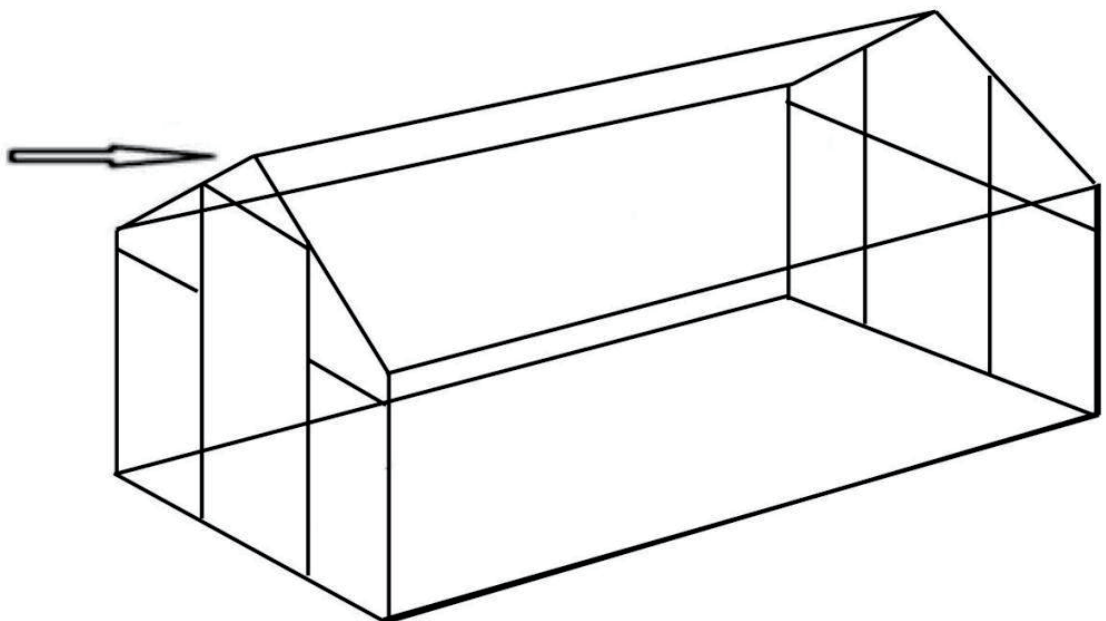
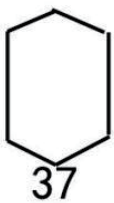
Slide PC panels A(the wall), B(the roof), and J(the roof) into the grooves of 17 and 18, then tighten the screws



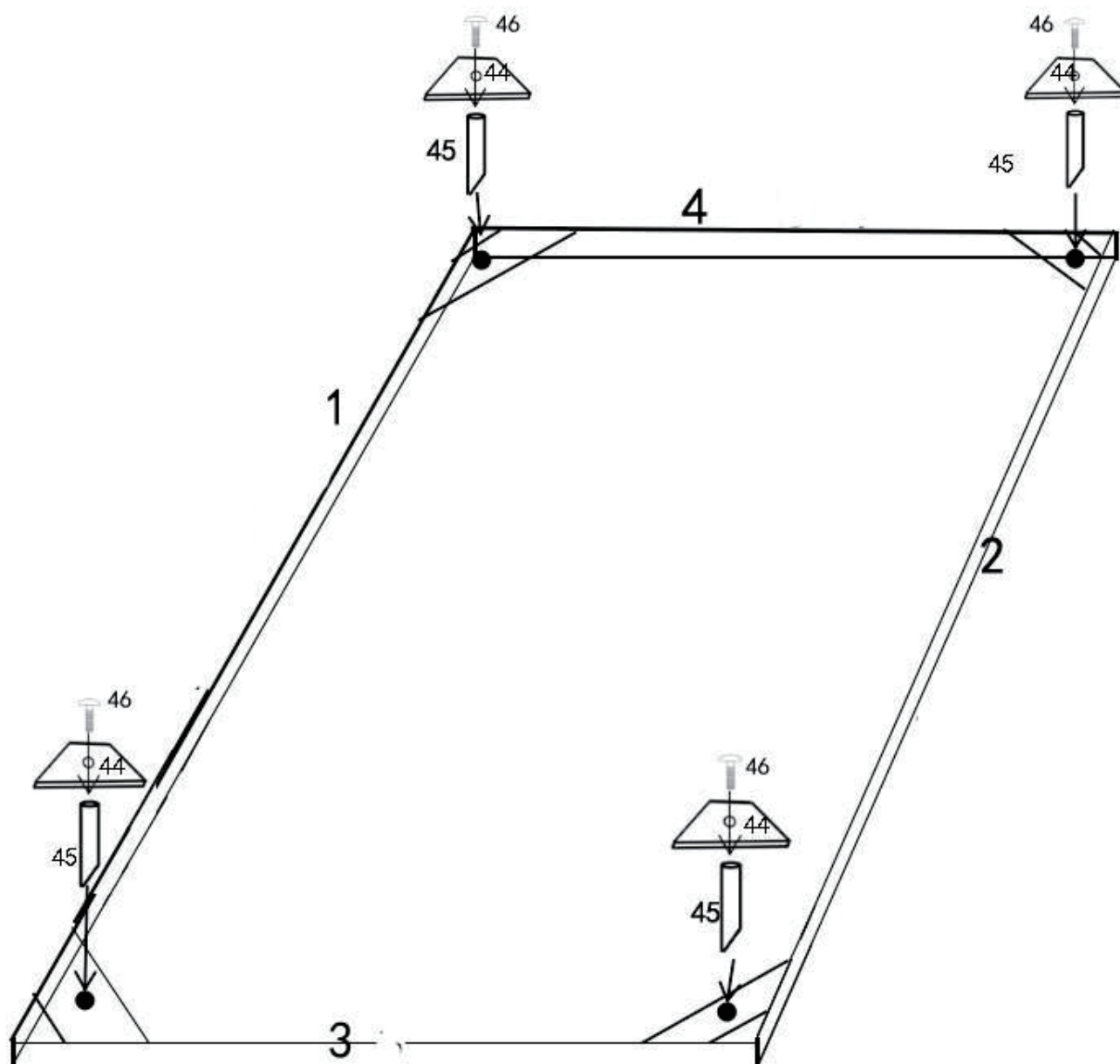
Connect dewatering profile with 6,7 by screw; Connect 31 with 6,7 by screw 38



Push the plastic cover onto the top plastic connector



Put 44 on inside 4 base corner, then connect screw 46 and 45 fixed in to the floor





US



001-877-644-9366  
customerservice@aosom.com

CA



001-855-537-6088  
customerservice@aosom.ca

UK



0044-800-240-4004  
enquiries@mhstar.co.uk

DE



0049-(0)40-88307530  
service@aosom.de

FR



0033-1-84166106  
contact@aosom.fr

ES



0034-931294512  
atencioncliente@aosom.es

IT



0039-0249471447  
clienti@aosom.it